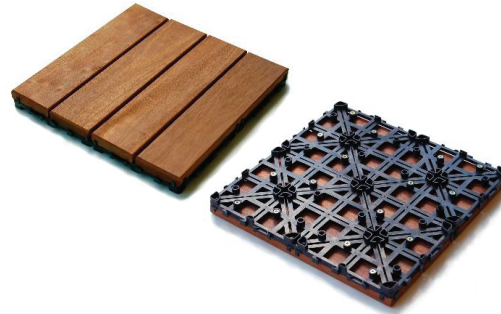


Archatrak Interlocking Ipe Wood Tiles

Prefabricated Ipe wood deck tiles constructed with an integral, plastic mesh base ensuring water flows away freely under each tile. Interlocking tabs on all sides of the plastic base permit the tiles to be quickly and easily snapped tother over any hard surface such as concrete or existing wood decks, accurately spaced and aligned.

- Quick and simple DIY installation.
- Automatic alignment and accurate spacing.
- No specialist tools, adhesives, or fixings required.
- Durable, hard wearing and scratch resistant.
- Tiles weather without splintering.
- Available in 12" x 12" and 12" x 24" sizes.
- Straight & corner edge transition pieces available.
- Engineered to support over one ton of weight.
- Not for pedestal application.



INTERLOCKING WOOD TILES

Specifications

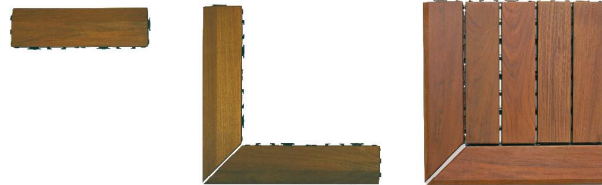
PRODUCT	COLORADO & SIERRA	DOUBLE-C		
Size	12" x 12"	24" x 12"		
Tile Height (incl. base)	1 1/4"	1 1/4"	Colorado	Sierra
Base Height	9/16"	9/16"		Double-C
Slat thickness	11/16"	11/16"		
Surface finish	smooth	smooth		
Screws	Stainless steel	Stainless steel		
Tile weight	3.4 lb.	6.8 lb.		
Packing	12 tiles per carton	6 tiles per carton		
Carton size	15" x 13" x 13"	8" x 25" x 13"		
Carton weight	43 lb.	43 lb.		
Warranty (residential use)	5 years	5 years		

Ipe Wood Properties

Density	64 lb/ft3
Durability	Class 1 (min. 25 years life)
Hardness (Janka)	3680 (very hard)
Decay resistance	1 (very resistant)
Modulus of rupture	22,600 psi
Modulus of elasticity	21,600 MPa
Crushing strength	13,000 lbf/in2
Shrinkage	7% tangential, 6% radial

Edge Transition Pieces

- Clip to the edge of the outer row of tiles.
- Provide a sloping transition to the sub surface.
- Hide the side view of the plastic base.
- Gap under front lip ensures water drains away freely.



Straight Edges	Corner Edges	Corner Tiling
12"(L) x 3 3/8" (W) 24"(L) x 3 3/8" (W)	Supplied as a pair with mitered corners, one required per corner.	Colorado Tile with Corner Edge piece.

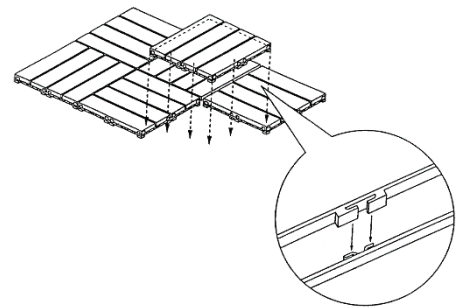
Interlocking Ipe Wood Deck Tiles

Interlocking Ipe Wood Deck Tiles require no nails, screws, adhesives or special fixings. A handsaw or jigsaw may be required if any tiles need to be cut to fit around posts or pipes or to trim the outer row of tiles in confined areas.

Although Interlocking Ipe Wood Deck Tiles can be laid over most hard surfaces (concrete, asphalt, gravel, hard dirt), there should be no large cracks, bumps or depressions which could cause the tiles to lie unevenly or “rock” on the surface. If the surface is particularly rough or cracked, it’s advisable to level the surface with a suitable exterior patching compound or filler. On hard dirt surfaces, sand or gravel, the surface should firstly be leveled, well compacted and then covered with a weed control barrier.

To provide good drainage under the tiles, the surface should normally slope slightly away from the outer wall of any structures.

- Place a single tile in one corner of the area to be covered.
- Taking a second tile, align the plastic connecting tabs on the outside edges of the tiles to be joined and push down firmly on the second tile close to the connection point. This will engage the tabs and lock the tiles together.
- Continue this process, adding tiles in both directions until the area is covered, ensuring each tile is securely locked to the neighboring tile.
- Different patterns can be achieved by joining tiles so that the wood slats of adjacent tiles are aligned in different directions.
- To fit around pipes, posts or corners, cut to fit using a jigsaw or handsaw, sawing through both the wood slats and plastic base. Take care to avoid stainless steel screw when cutting, removing them if needed.
- If installing the tiles in an area confined by walls on opposite sides, it’s important that a small gap is left against the wall to allow for expansion of the tiles which occurs not only due to temperature changes but also due to expansion of the wood when it absorbs moisture.
- When cutting irregular shapes, it is best to firstly make a template from a piece of stiff paper or cardboard. Make sure to remove any screws that fall in the path of the proposed cut. With any cut tile, it is very important that the structural integrity of the tile is maintained. Make sure that cut slats remain securely attached to the plastic base with at least 2 screws. Extra screws may need to be inserted if any slats appear loose. (Blank screw holes are molded in the plastic base for this purpose).
- Care should be taken if the tiles are installed or removed when the ambient temperature is below minus 4°F. The polypropylene mesh base of the tiles can become increasingly brittle at very low temperatures and damage to the connecting tabs could occur if excess force is exerted on them.



Maintenance

Regular maintenance requires only cleaning the tiles with a stiff brush or washing with water from time to time.

Interlocking Ipe Wood Tiles are supplied in prefinished form with a factory coating of protective oil applied to all wood surfaces. Whilst this provides some initial protection from the effects of UV and exterior elements, this is a very simple decking oil which is basically designed to enhance the initial appearance. To reduce the rate at which the tiles will naturally fade when exposed to direct sunlight and to keep the appearance of your deck at its optimum condition, we strongly recommend that the following steps should be taken:

As soon as convenient after installing the wood tiles, apply a good quality decking oil with a brush or roller. Decking oils which contains trans-oxide pigments or other proprietary UV absorbing or reflecting compounds and have a high solids content are preferred for longer term results and extended periods between applications of the decking oil/sealant. These specialized products will help maximize the durability, beauty and value of your decking tiles and assist in maintaining the original wood color as long as possible.

Follow up applications should be carried out every 12 months or so, depending on your climatic conditions, the degree of exposure to sun and rain, and the recommendations of the decking oil/sealer manufacturer.