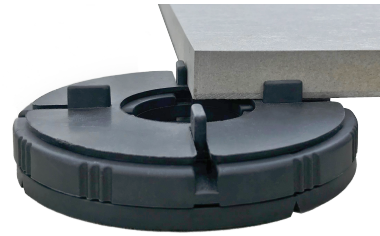


# Archatrak Fixed Height Support Pads

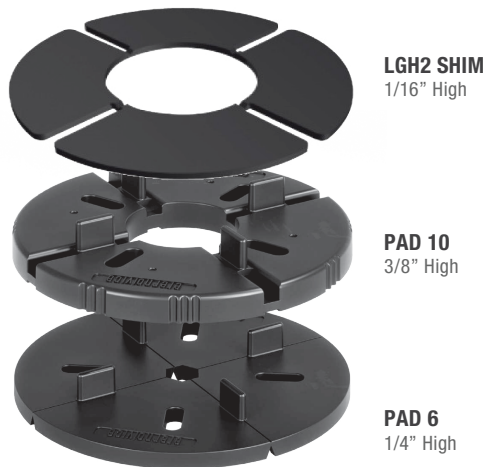
Stackable, fixed height rubber support pads for laying porcelain or concrete pavers over hard surfaces where a height elevation between 1/4" and approx. 1" is required. Used in roof deck construction with pedestal paver systems where elevations are below the minimum height specification of adjustable height pedestals or with on-grade patio decks as an alternative to mortar and grout installation. Inbuilt spacer tabs enable quick installation with precise and consistent spacing of pavers. SBR rubber provides excellent slip resistance on most surfaces as well as superior sound deadening and shock protection compared with plastic support pads.

- Inbuilt spacer tabs ensure precise paver spacing and alignment.
- Rubber pads provide superior sound deadening and shock reduction.
- Pads can be stacked to build level surfaces on sloping substrates.
- Open structure allows water to drain rapidly and avoid pooling.
- Pavers can be easily lifted off and replaced if required.

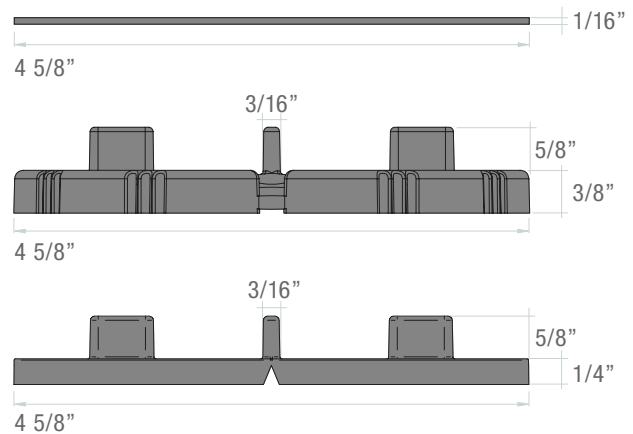


FIXED HEIGHT PADS

## Pad & Shim Dimensions



**Composition:** Styrene-Butadiene Rubber



## Height Progression



**LGH2 SHIM**  
1/16" High



**PAD 6**  
1/4" High



**PAD 10**  
3/8" High

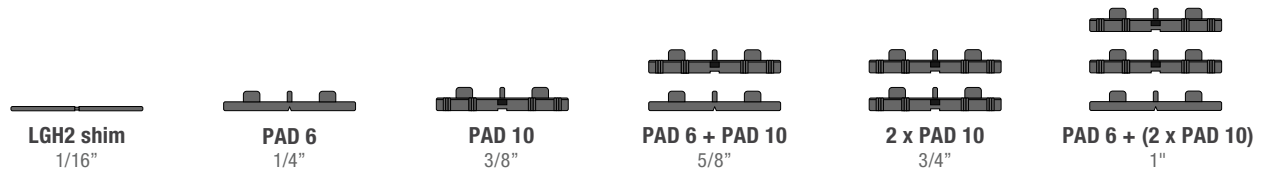
**Surface Preparation**

The surface should be smooth, structurally sound and constructed with min. 2° slope pitched away from any building. In elevated situations such as rooftops and balconies, the paved area should be surrounded on all sides by a low retaining wall or other restraining structure to prevent lateral movement of the pavers over the surface.

For on-grade applications, although a restraining barrier is also recommended, it may not be necessary to install a barrier in all situations, since the excellent frictional properties of the rubber pads can be sufficient to stop lateral movement with many types of pavers.

**Building Height with Rubber Pads**

Fixed height pads are used where a height elevation between 1/4" and approx. 1" is required. Note that PAD 6 should not normally be laid directly over PAD 10 as this requires trimming the tops of the PAD 10 rubber tabs to ensure a level laying surface on the top of the pads.



**Leveling with Shims** LGH2 shims are used for more precise leveling between the above pad combinations. Half sections of these pads can be cut off and used for slope compensation by placing the cut off section on one side of the pedestal head.

**Installation**

Mark the proposed layout of the pads on the concrete base using chalk, optimizing their placement to avoid cut sections of pavers less than 8" wide on either side of the paved area. For the first row of pads along the perimeter, cut pads with a sharp knife to create semicircular segments, leaving the upright spacer tabs parallel to the cut edge in place.

Place the semicircular segments along the perimeter, spaced at the width of the pavers. For internal right angle corners, cut pads into quadrants, retaining the tabs at the outer edge of the quadrants.

Place cut pads in each internal corner. Lay a second row of uncut pads complete with all spacer tabs, spaced one full paver width from the first row of pads. Place the first row of pavers carefully over the pads, starting in the corner, ensuring each paver butts tightly against the spacer tabs.

Check to ensure no paver is rocking on the pads. Use one or more ETE-LGH2 shims between the paver and pads as necessary to prevent any movement. Continue placing pads and pavers in a likewise manner across the entire area being paved.

If the pavers are being laid over a sloping substrate and the resulting surface is to be perfectly horizontal, pads will need to be stacked to build up the increasing height required. Pads can be stacked in any combination up to a max. of approx. 1 1/2". Constantly check the paver surface for level with a spirit level as pavers are being laid.

Use LGH2 shims for more precise leveling between the above pad combinations. Half sections of these pads can be cut off and used for slope compensation if required by placing the cut off section on one side of the pad.

**Cutting & Positioning Pads Against Straight Walls and Corners**

