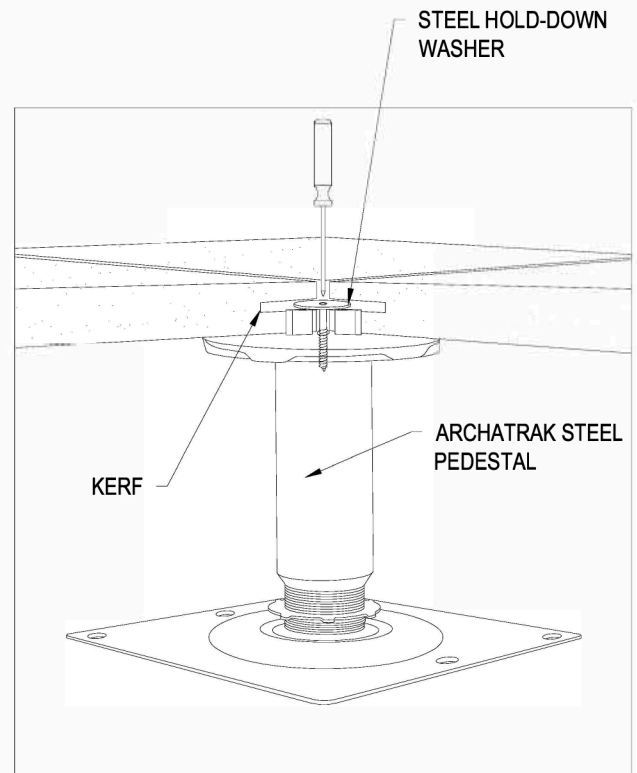


PLAN VIEW

A KERF IS CUT IN EACH CORNER OF THE T 30 PORCELAIN PAVERS TO ACCEPT A STAINLESS STEEL WASHER.

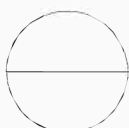
THE WASHER IS INSERTED INTO THE KERFED CORNERS OF THE PAVERS AND A STAINLESS STEEL SCREW INSERTED IN THE CENTER WHICH IS SCREWED INTO THE TAPPED HEAD OF THE STEEL PEDESTAL.



INSTALLATION

GENERAL NOTES:

1. INSTALLATION TO BE COMPLETED IN ACCORDANCE WITH ARCHATRAK SPECIFICATIONS.
2. DO NOT SCALE DRAWING.
3. THIS DRAWING IS INTENDED FOR USE BY ARCHITECTS, ENGINEERS, CONTRACTORS, CONSULTANTS AND DESIGN PROFESSIONALS FOR PLANNING PURPOSES ONLY AND SHOULD NOT BE USED FOR CONSTRUCTION.
4. ALL INFORMATION CONTAINED HEREIN WAS CURRENT AT THE TIME OF DEVELOPMENT BUT MUST BE REVIEWED AND APPROVED BY ARCHATRAK TO BE CONSIDERED ACCURATE.



T30 PORCELAIN PAVERS: LOCK DOWN SYSTEM

PORCELAIN PAVER LOCK DOWN SYSTEM FOR WIND UPLIFT MITIGATION