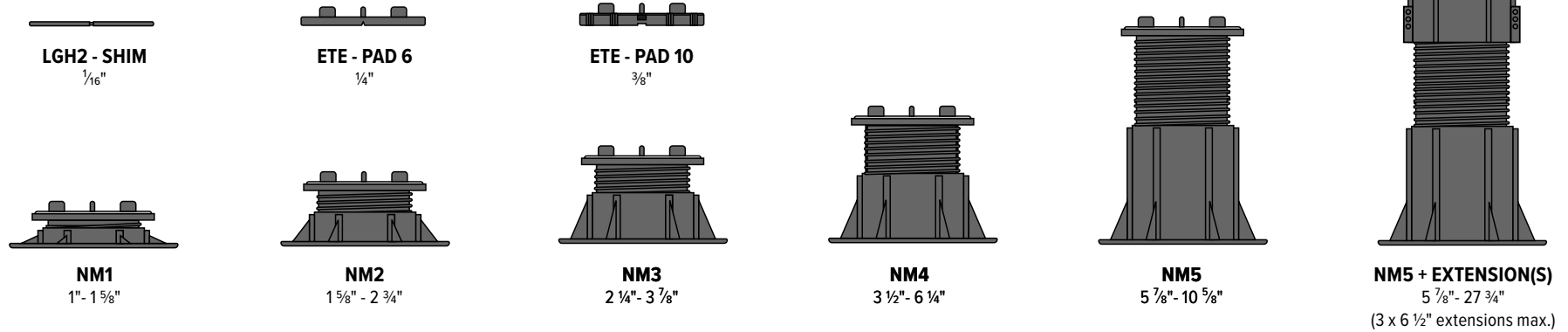
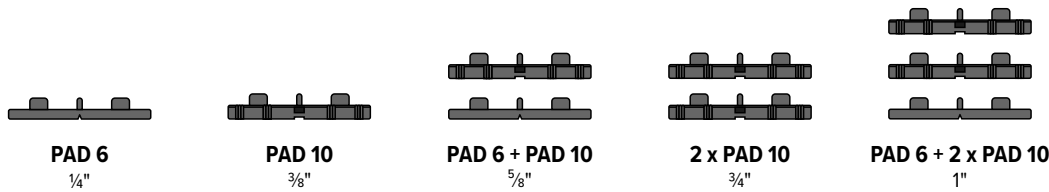


**TW - 150**  
SLOPE COMPENSATION RING  
FOR NM PEDESTALS  
1/16" - 1/8"



## BUILDING HEIGHT WITH RUBBER PADS



Use LGH2 shims for more precise leveling between the above pad combinations. Half sections of these pads can be cut off and used for slope compensation if required by placing the cut off section on one side of the pedestal head.

ETE-PAD 6 and ETE-PAD 10 components are stacked to build paver support up to the height where NM1, the lowest adjustable height pedestal (1" - 1 5/8"), can be used. LGH2 shims are used to make minor height adjustments as needed.

Note that ETE-PAD 6 should not normally be laid directly over ETE-PAD 10 as this requires trimming the tops of the ETE-PAD 10 rubber tabs to ensure a level laying surface on the top of the pads.

Where pedestal extensions are specified for support heights over 10 5/8", please consult with our sales team to determine if extra stabilization with guy wires is necessary.