



# ARCHASOL

ARCHASOL  
1288 N 14TH AVE. UNIT 105  
BOZEMAN, MT 59715  
PHONE: (406) 551-7955  
www.archasol.com

SELECT DESIRED LED COLOR:

- 3000 K
- 4000 K

SELECT DESIRED LIGHT DISTRIBUTION:

- ASYMMETRICAL
- SYMMETRICAL

SELECT DESIRED FINISH:

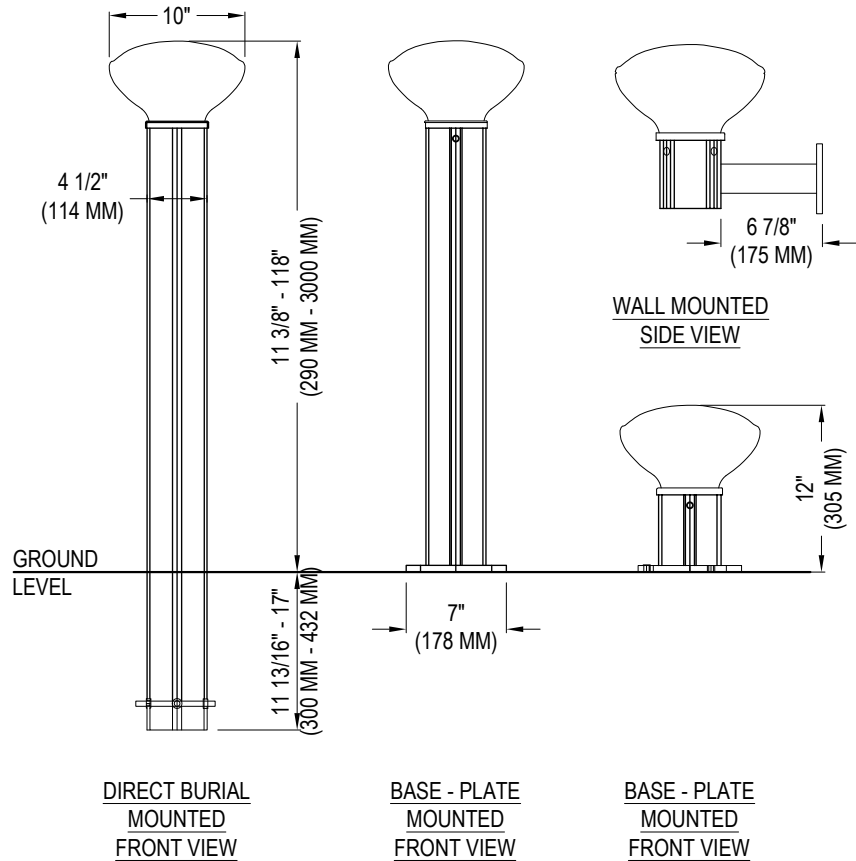
- ANODISED - CLEAR
- ANODISED - EBONY
- POWDER COATED - BLACK SATIN
- POWDER COATED - OTHER COLORS AVAILABLE (MIN. 15 PCS)

SELECT DESIRED MOUNT TYPE:

- BASE PLATE
- DIRECT BURY
- WALL MOUNT

SELECT DESIRED OVERALL HEIGHT:

- 11 3/8"  11 7/8"  39 3/8"  59"
- 79"  94 1/2"  98 3/8"  118"



### TECHNICAL SPECIFICATIONS:

**SOLAR MODULE:** 5 W MONOCRYSTALLINE, 5 V, 1 AMP

**BATTERY:** 3.2 V, 17 Ah CYLINDRICAL LIFEPO4; 3700 MIN. CYCLES (EXPECTED); DESIGN LIFE: 10+ YEARS (EXPECTED)

**OPERATIONAL TIME:** DUSK UNTIL DAWN FULL POWER

**LED & ELECTRONICS:** 8 X 5 MM PIRANHA LED SUPER BRIGHT, 3.2 V; POWER: 40 MA - 280 MA (SET FOR SPECIFIED LOCATION/CONDITIONS)

**OPERATING TEMPERATURE:** -30°C ~ +60°C AMBIENT

**CERTIFICATIONS:** IP68, IK10

**MATERIALS:** POLES - 6106 T6 ALUMINUM MARINE GRADE; DOME - SABIC SLX LEXAN; HOUSING - SABIC LEXAN 203R; INTERNAL - STAREX ASA

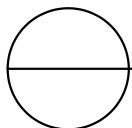
**WARRANTY:** 10 YEARS

### MANUFACTURERS NOTES:

1. CONTACT MANUFACTURER TO SELECT CORRECT POWER MODEL FOR THE SPECIFIC SITE LOCATION AND CONDITIONS

### NOTES:

1. INSTALLATION TO BE COMPLETED IN ACCORDANCE WITH MANUFACTURER'S SPECIFICATIONS.
2. DO NOT SCALE DRAWING.
3. THIS DRAWING IS INTENDED FOR USE BY ARCHITECTS, ENGINEERS, CONTRACTORS, CONSULTANTS AND DESIGN PROFESSIONALS FOR PLANNING PURPOSES ONLY. THIS DRAWING MAY NOT BE USED FOR CONSTRUCTION.
4. ALL INFORMATION CONTAINED HEREIN WAS CURRENT AT THE TIME OF DEVELOPMENT BUT MUST BE REVIEWED AND APPROVED BY THE PRODUCT MANUFACTURER TO BE CONSIDERED ACCURATE.
5. CONTRACTOR'S NOTE: FOR PRODUCT AND COMPANY INFORMATION VISIT [www.CADdetails.com/info](http://www.CADdetails.com/info) AND ENTER REFERENCE NUMBER 5501-028.



## SBL POLE - MOUNTED SOLAR LIGHTS

SBL SERIES S BOLLARD LIGHT - WITHOUT REFLECTOR