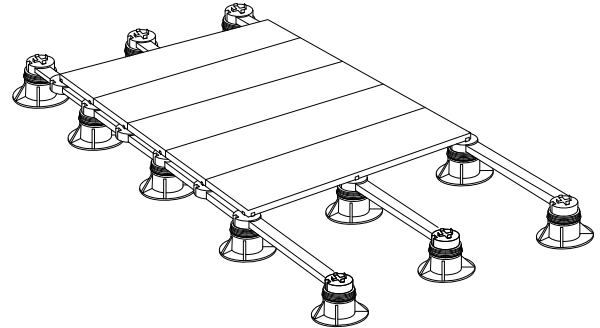
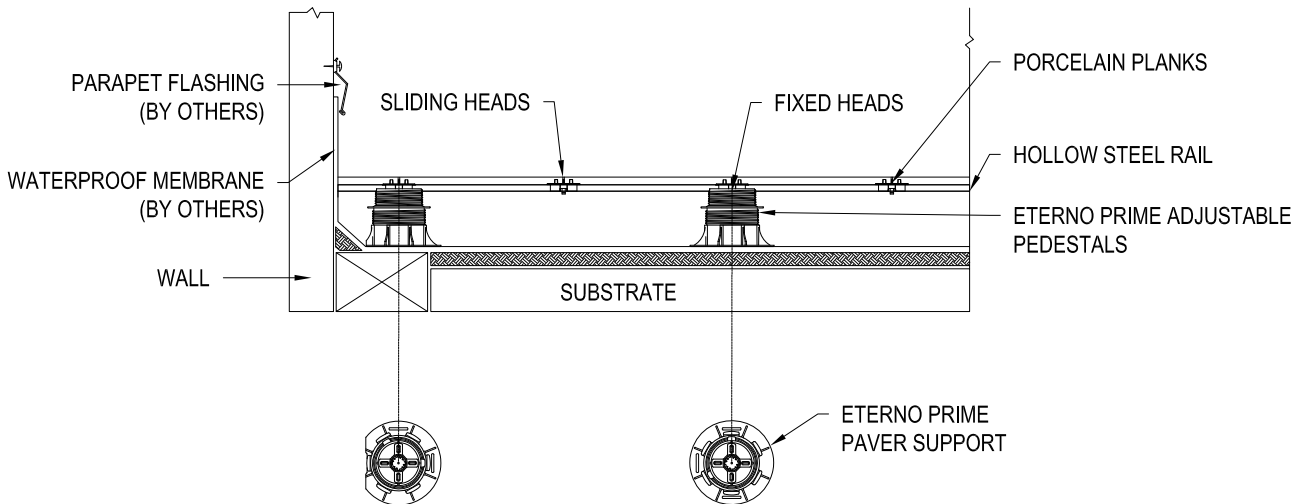


SIDE VIEW
 PEDESTAL HEAD - FIXED AND SLIDING



PERSPECTIVE
 STEEL RAIL SUPPORT SYSTEM



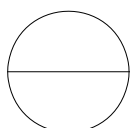
SIDE VIEW
 FIXED AND SLIDING HEADS ON STEEL RAIL

INSTALLATION NOTES:

- 3/4" THICK PORCELAIN PAVERS AND PLANKS USED ON ELEVATED DECKS REQUIRE SUPPORT AT EACH CORNER AND AT INTERVALS NO GREATER THAN 24" ALONG ANY SIDE. WITH PLANKS LESS THAN 16" WIDE, A RAIL SYSTEM IS GENERALLY PREFERRED FOR LOWER PEDESTAL COST, BETTER SUPPORT AND FASTER INSTALLATION.
- ETERNO PRIME PEDESTALS ARE PLACED OVER THE SUBSTRATE AT 24" INTERVALS IN BOTH DIRECTIONS.
- HOLLOW STEEL RAILS ARE POSITIONED ON THE HEAD OF THE PEDESTALS AND LOCKED IN PLACE WITH HEAD CAPS.
- SLIDING HEAD CAPS ARE PLACED ALONG THE STEEL RAILS TO PROVIDE SUPPORT AND CORRECT SPACING AT EACH CORNER OF ALL PORCELAIN PLANKS NOT LOCATED ON TOP OF PEDESTAL HEADS AND AT INTERVALS ON NOT GREATER THAN 24" ALONG THE SIDES.

GENERAL NOTES:

1. INSTALLATION TO BE COMPLETED IN ACCORDANCE WITH ARCHATRAK SPECIFICATIONS.
2. DO NOT SCALE DRAWING.
3. THIS DRAWING IS INTENDED FOR USE BY ARCHITECTS, ENGINEERS, CONTRACTORS, CONSULTANTS AND DESIGN PROFESSIONALS FOR PLANNING PURPOSES ONLY AND SHOULD NOT BE USED FOR CONSTRUCTION.
4. ALL INFORMATION CONTAINED HEREIN WAS CURRENT AT THE TIME OF DEVELOPMENT BUT MUST BE REVIEWED AND APPROVED BY ARCHATRAK TO BE CONSIDERED ACCURATE.



PORCELAIN PAVERS: RAIL SUPPORT SYSTEM

RAIL SUPPORT SYSTEM WITH ETERNO 'PRIME' PEDESTALS