

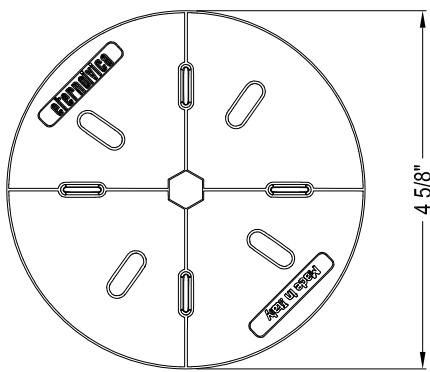
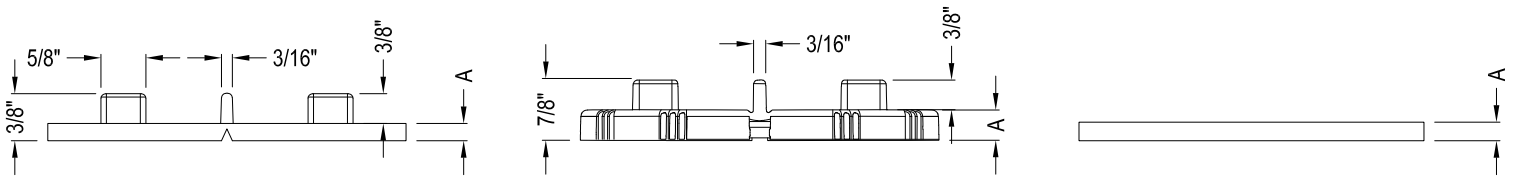
SELECT DESIRED SBS RECYCLABLE RUBBER PAD:

ETE-PAD 6

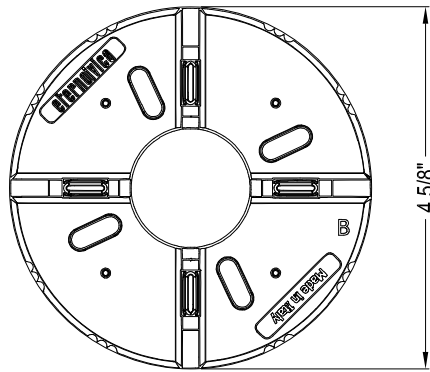
ETE-PAD 10

LGH 2-SHIM

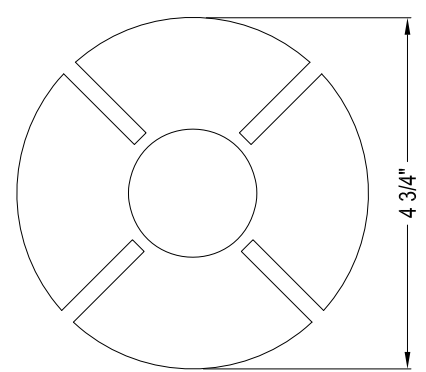
A THICKNESS	
ETE - PAD 6	1/4"
ETE-PAD 10	3/8"
LGH2 SHIM	1/16"



ETE - PAD 6



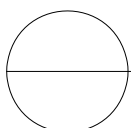
ETE - PAD 10



LGH2 - SHIM

GENERAL NOTES:

1. INSTALLATION TO BE COMPLETED IN ACCORDANCE WITH ARCHATRAK SPECIFICATIONS.
2. DO NOT SCALE DRAWING.
3. THIS DRAWING IS INTENDED FOR USE BY ARCHITECTS, ENGINEERS, CONTRACTORS, CONSULTANTS AND DESIGN PROFESSIONALS FOR PLANNING PURPOSES ONLY AND SHOULD NOT BE USED FOR CONSTRUCTION.
4. ALL INFORMATION CONTAINED HEREIN WAS CURRENT AT THE TIME OF DEVELOPMENT BUT MUST BE REVIEWED AND APPROVED BY ARCHATRAK TO BE CONSIDERED ACCURATE.



DECK SUPPORTS: FIXED HEIGHT RUBBER PADS

FIXED HEIGHT PAVER SUPPORT PADS