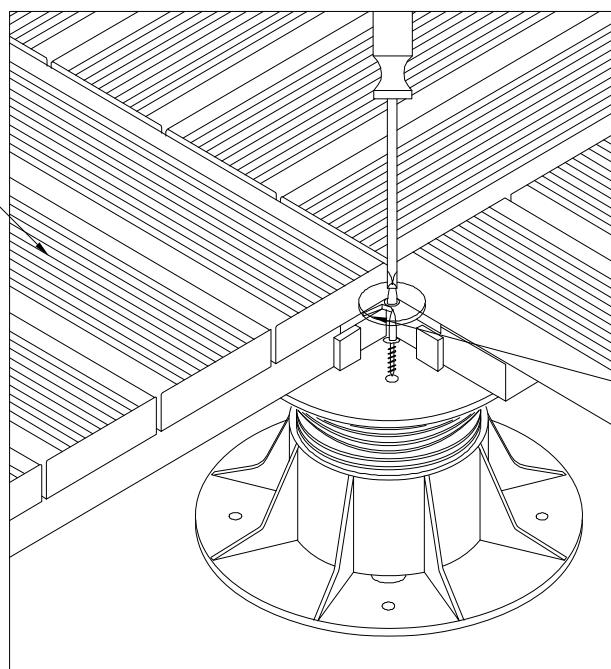


PERSPECTIVE
 STAINLESS STEEL
 SCREW AND WASHER

WOOD PAVERS



KERF
 CUT

INSTALLATION

INSERT THE SCREW AND WASHER ASSEMBLY INTO THE HEAD OF THE PEDESTAL AND TURN WITH A SCREWDRIVER UNTIL THE WASHER IS THE CORRECT HEIGHT TO SLOT INTO THE KERF CUT INTO THE EDGES OF THE WOOD TILES

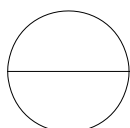
PLACE THE WOOD TILES ON THE HEAD OF THE PEDESTAL, ENSURING THAT THE WASHER CATCHES THE CORNER OF ALL FOUR TILES.

TIGHTEN THE SCREW FROM THE TOP UNTIL THE TILES ARE SECURELY FASTENED TO THE PEDESTAL.

DO NOT OVER TIGHTEN THEM.

GENERAL NOTES:

1. INSTALLATION TO BE COMPLETED IN ACCORDANCE WITH ARCHATRAK SPECIFICATIONS.
2. DO NOT SCALE DRAWING.
3. THIS DRAWING IS INTENDED FOR USE BY ARCHITECTS, ENGINEERS, CONTRACTORS, CONSULTANTS AND DESIGN PROFESSIONALS FOR PLANNING PURPOSES ONLY AND SHOULD NOT BE USED FOR CONSTRUCTION.
4. ALL INFORMATION CONTAINED HEREIN WAS CURRENT AT THE TIME OF DEVELOPMENT BUT MUST BE REVIEWED AND APPROVED BY ARCHATRAK TO BE CONSIDERED ACCURATE.



STRUCTURAL WOOD DECK TILES: HOLD DOWN SYSTEM

HOLD DOWN SCREWS FOR WOOD TILES