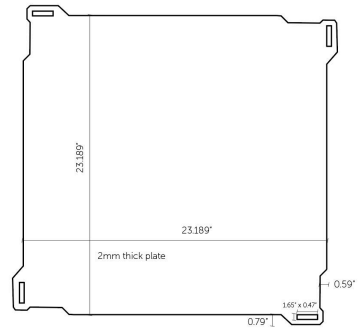


SPANSAFE STEEL PROTECTION TRAYS

Archatrak 'Spansafe' galvanized steel sheet trays are designed for placing under our porcelain pavers in pedestal supported deck applications to provide protection should a paver be accidentally damaged.

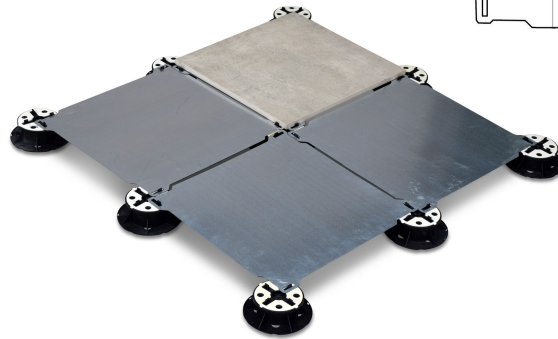


The 'Spansafe' tray is 2mm thick with "earlobes" to catch pedestal tabs and is designed for 24" x 24" (nom.) porcelain pavers only.



SPECIFICATIONS

Size	23.5" x 23.5"
Weight	9lb
Thickness	2mm



SHOCK PROTECTION

While porcelain pavers are exceptionally dense and durable, they can, nevertheless, suffer damage including cracking and breakage if heavy objects are dropped on them from a significant height. In accordance with the paver manufacturers' recommendations, protection sheets or trays should be installed underneath the pavers when the pedestal height exceeds 4", especially in high traffic situations.

The Archatrak 'Spansafe' steel tray is designed to support the weight of an average person, should a paver become damaged or broken, allowing the individual to step away from the damaged paver to avoid potential injury.

INSTALLATION

The trays are installed by simply setting them directly on the pedestals. The pavers are then placed over the steel tray with each corner of the paver butted tightly against the pedestal tabs. Standard pedestal head tabs will normally be high enough to avoid the need for additional height or special tabs since the

corners are only 2mm thick. We recommend placing a rubber shim (e.g. our ETE-LGH2) or a bead of silicone adhesive between the pavers and the plates to minimize noise transmission and/or rattling.



Paver on tray



Broken paver supported by tray



Tray supporting person's weight